




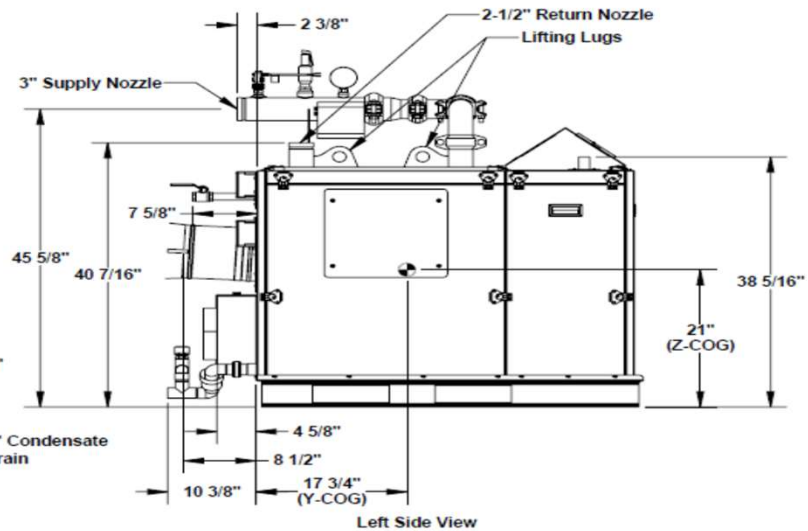
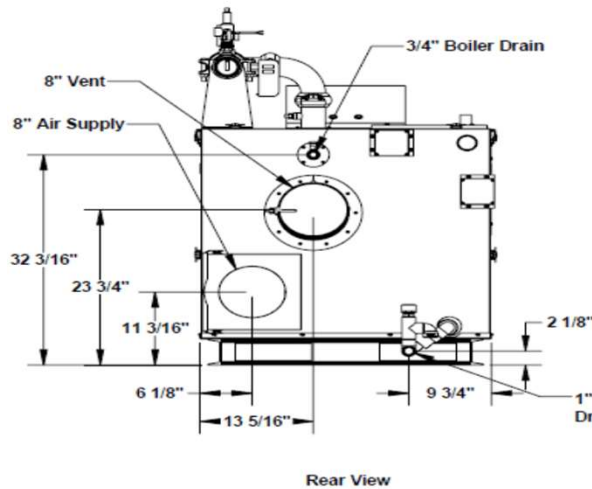
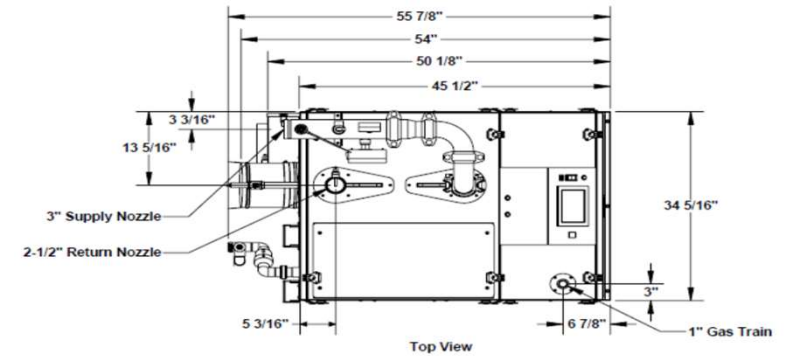
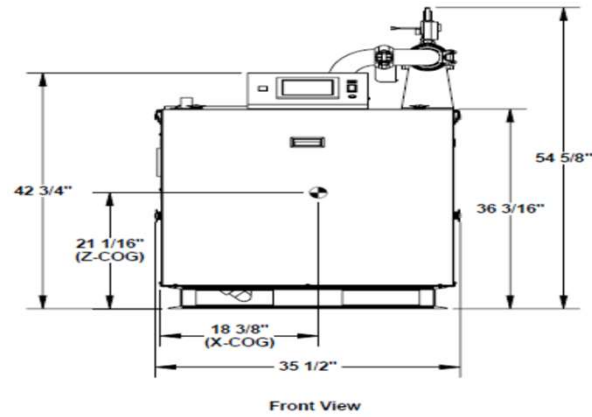
# AMPW CONDENSING WATER HEATERS - SUBMITTAL DATA SHEET

RATINGS AND CAPACITIES		
Input - Low Fire .....	200,000	BTU/HR
Input - High Fire .....	1,000,000	BTU/HR
Output - High Fire .....	980,000	BTU/HR
DHW Recovery (40°F to 140° Rise)....	1,176	GPH
Thermal Efficiency .....	98.0%	
Heating Surface .....	100.2	Sq.Ft.
Water Content .....	11.0	Gallons
Fuel ..... <b>Natural Gas or LP Gas</b>		
Firing Rate .....	<b>Full Modulation</b>	
Burner Turndown .....	5:1	
Low NOx Emissions .....	< 10 ppm	
Inlet Gas Pressure (NG) .....	4" wc	Min.
Inlet Gas Pressure (LP) .....	8" wc	Min.
	14" wc	Max.
Shipping Weight, Approximate .....	922	lbs

ASME Section IV (Max 160 PSIG / 210°F)	
ETL Certified to ANSI Z21.10.3 / CSA 4.3	
NSF/ANSI Standard 372	

DIMENSIONS / CONNECTIONS		
- Height .....	42-3/4"	(Note 1)
- Width .....	34-1/4"	(Note 2)
- Length .....	45-1/2"	(Note 3)
- Supply Connection .....	3" Grooved	
- Return Connection .....	2-1/2" Grooved	
- Vent / Air Intake Connections .....	8"	
- Gas Connection .....	1" NPT	

STANDARD EQUIPMENT	
- ASME Stainless Steel Heat Exchanger	
- Stainless Steel Pre-Mix Burner	
- Variable Speed Combustion Blower	
- Concert Control™ (24v)	
- High Limit Temperature Control, Manual Reset	
- Water Flow Switch	
- Low Water Cutoff, Manual Reset	
- Condensate Trap	
- Blocked Condensate Switch	
- ASME Temperature & Pressure Relief Valve	
- Temperature & Pressure Gauge	
- Supply, Return & DHW Temperature Sensors	
- Flue Gas Temperature Sensor	
- Air Vent Valve	
- Modulating Gas Valve	
- Direct Spark Ignition and UV Scanner	
- High/Low Gas Pressure Switches, Manual Reset	
- Combustion Air Switch	
- Blocked Vent Switch	
- 120-208-240v/1/60 Line Voltage	
- Amp Draw: 120v (11.0); 208v (7.4) and 240v (6.5)	
- Category II and IV Venting	
- Individual or Common (Engineered) Vent System	
- CPVC, Polypropylene & Stainless Steel Acceptable *Material	
- Sealed or Room Combustion Air Intake	
- Up to 300 ft equivalent venting / air intake	



- NOTES:
1. Height dimension is from floor to top of control box.
  2. Width does not include jacket butterfly clips that require 3/4" +/- clearance on each side.
  3. Length is from jacket front to jacket rear.
  4. Dimensions shown are for reference only

FLOW REQUIREMENTS		
Water Hardness	Flow (GPM)	r P (Fl. Hd)
5 - 12 gpg	99	11.0
12 - 15 gpg	132	18.0

\* Flue system material shall be capable of continuous operation at 210°F or higher and shall be certified to UL 1738 – venting system for gas-burning appliances cat II, III and IV.

## AMPW-1000

PROPERTY OF  
  
**THERMAL SOLUTIONS**  
Specialty Equipment for Hot Water Systems

PO BOX 3244 | LANCASTER, PA 17601

INNOVATIVE EQUIPMENT FOR  
 HOT WATER SYSTEMS  
[WWW.THERMALSOLUTIONS.COM](http://WWW.THERMALSOLUTIONS.COM)

Updated 1/2024